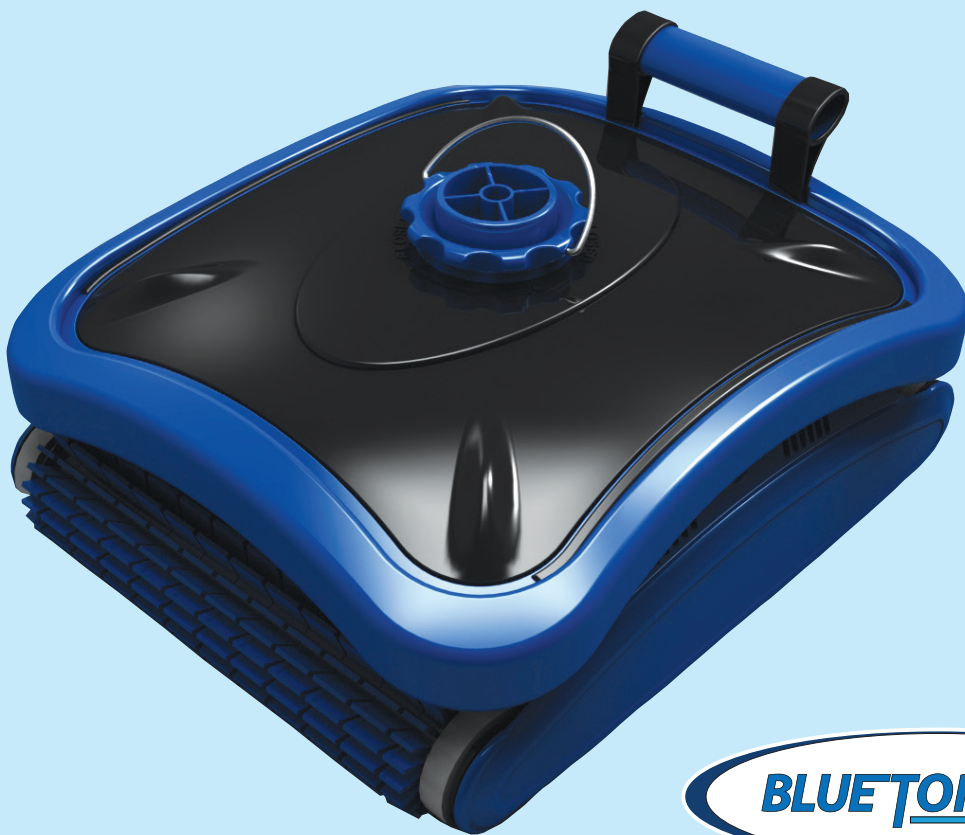




ROBOTIC POOL CLEANER

FOR INGROUND POOLS



BLUETORRENT

*Congratulations on purchasing
Mybot Robotic Pool Cleaner.
You have made an excellent choice.*



READ THESE IMPORTANT OPERATING TIPS BEFORE USING YOUR UNIT

Thank you for choosing the Mybot Pool Cleaner. In order to achieve optimal performance, please read and follow these steps:

1. Cleaner filter buckets should be thoroughly cleaned after each use or as often as needed to ensure cleaner's optimal performance.
2. Before using your cleaner and especially when opening the pool for the first time remove larger items from the pool that may diminish the cleaner's performance. Clean filter frequently when pool is excessively dirty.
3. Cleaner may periodically go to the wall but not necessarily climb to the vertical position. This is a normal part of the programmed cycle.
4. Cleaner may stop in the middle of the pool and reverse during cleaning cycle. This is a normal part of the programmed cycle.
5. DO NOT start cleaner out of the water. Power button should only be switched to "I" position when unit is submerged. The unit will automatically shut off, but it is best to put power switch in "O" position when unit completes cleaning.
6. The electric supply connection shall be made by a qualified electrician and comply with IEC 60364-1. It is recommended that the electric supply to this machine should include either a residual current device that will interrupt the supply if the leakage current to earth.
7. The power supply box (including safety isolated transformer) of swimming pool cleaner must be located at minimum 11 feet away from the pool edge and minimum 8 feet overtop of top edge of pool (outside Zone 1 defined in IEC 60364-7-702).
8. The length of the supply cord of power supply box is maximum 2 feet.

CAUTION

Machines shall not be used by children. Children should be supervised to ensure that they do not play with the machine.

This machine can be used by people with reduced physical, sensory or mental capabilities or lack of experience and knowledge if they have been given supervision or instruction concerning use of the machine in a safe way and understand the hazards involved.









If the supply cord is damaged, it must be replaced by the manufacturer or its service agent or a similarly qualified person in order to avoid a hazard.

IMPORTANT SAFETY PRECAUTIONS

Attention User: This manual contains important information that will help you in operating and maintaining this pool cleaner. Please retain it for reference.

WARNING — Before installing this product, read and follow all warning notices and instructions which are included. Failure to follow safety warnings and instructions can result in severe injury, death, or property damage. Consumer Information and Safety service after installed, operated and maintained according to the information in this manual. Be sure to read and comply with all of the warnings and cautions.

SAFETY PRECAUTIONS

 DANGER	<p>Risk of electrical shock or electrocution.</p> <p>The electrical supply to this product must be installed in accordance with all applicable local codes and ordinances. Improper installation will create an electrical hazard which could result in death or serious injury to pool users or others due to electrical shock, and may also cause damage to property.</p>
 WARNING	<p>Do not play with cleaner or cable or apply to body. Can trap or tear hair or body parts. Cable can trip or entangle swimmers which could result in drowning.</p>
 WARNING	<p>The control box of appliance must be fixed securely on the ground. Never operate the unit without fixing.</p>
 WARNING	<p>To reduce the risk of injury, do not let children use or play with pool cleaner.</p>
 CAUTION	<p>Before installing the cleaner, understand cleaner coverage. The cleaner was not designed to automatically clean steps or to work under a solar cover.</p>
 WARNING	<p>Your cleaner should not be used while people are swimming in the pool.</p>
 WARNING	<p>The electric supply connection shall be made by a qualified electrician and comply with IEC 60364-1. It is recommended that the electric supply to this machine should include either a residual current device that will interrupt the supply if the leakage current to earth exceeds 30 mA.</p>
 CAUTION	<p>Do not allow swimmers in the pool while pool cleaner is operating.</p> <p>DO NOT switch on the pool cleaner if it is not immersed in the water.</p> <p>Operating the cleaner out of the water may cause severe damage and will result in loss of warranty. Always remember to turn the power supply to "O" and unplug it from the power outlet before removing the cleaner from the pool.</p>

GENERAL INFORMATION

Congratulations! You have got the most advanced automatic swimming pool cleaner. The Mybot is easy to use, and will help you clean your swimming pool. Operated according to this manual, your Mybot robot will clean your pool quickly and effectively.

READ AND FOLLOW ALL INSTRUCTIONS CAREFULLY BEFORE PUTTING YOUR CLEANER INTO USE

- Deterioration, discoloration or brittleness of any pool finish can be caused over time separately by, or in combination with, age, incorrect pool water chemistry, improper installation, and other factors.
- Customer hereby disclaims any and all claims, and releases Manufacturer from any and all claims for damages to any pool plaster or vinyl liner in Customer's pool by reason of the use and/or operation of the Cleaner.
- Under no circumstances shall the Manufacturer be liable for any loss or damage, whether direct, consequential or incidental, arising out of the use or inability to use the cleaner in customer's pool.

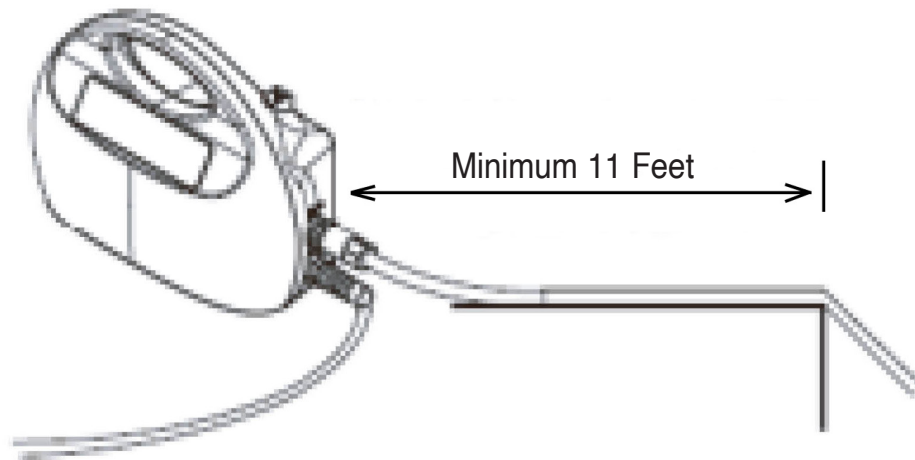
FEATURES

- The swimming pool cleaner independently scrubs, vacuums, and filters your pool.
- No installation, no attachments. Just drop it in and turn it on. It is completely automatic.
- Filter cleaning is much easier with the top-access filter bucket elements.
- Electronic Self-Diagnostics and overload Protection.
- Simple Direct Drive design non-corrosive bearings for high reliability.
- It can be serviced in all shapes of pools.

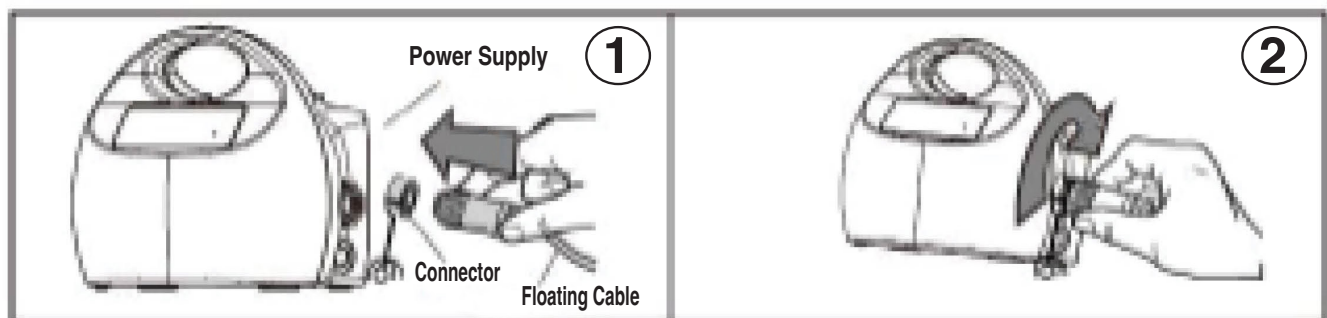
GENERAL OPERATING INSTRUCTIONS

Take a moment to get familiar with the CLEANER using the figure on page 9. Throughout this manual reference to this figure is made when referring to different components of the CLEANER.

Remove the **CLEANER** by placing the carton down and removing it from the box.







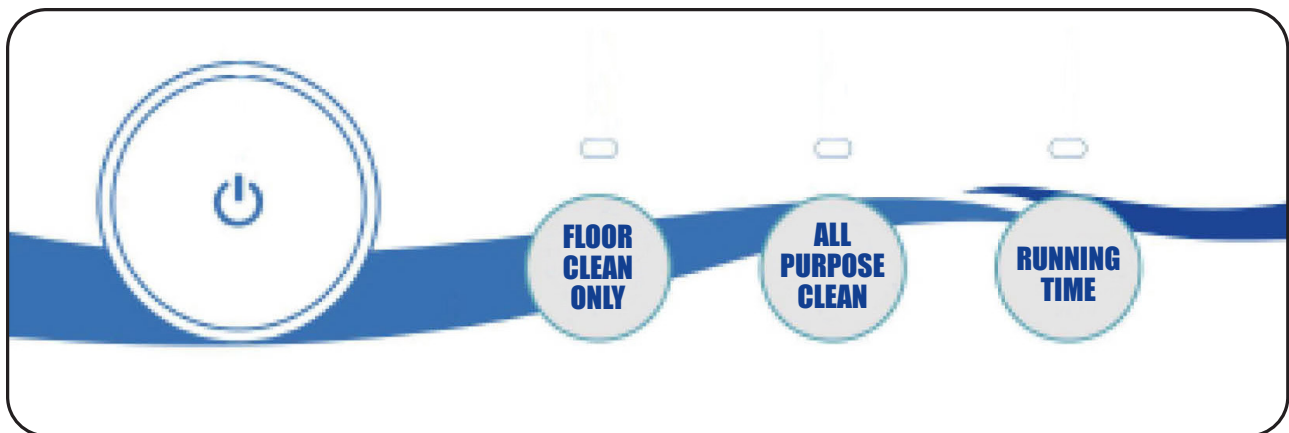
1. The control box must be fixed at a minimum distance of 11 ft. from the edge of the swimming pool and minimum 8 ft. overtop of top edge of pool (outside Zone 1 defined in IEC 60364-7-702). Never operate the unit without fixing the control box first. The length of the standard CLEANER cable is 60 feet.



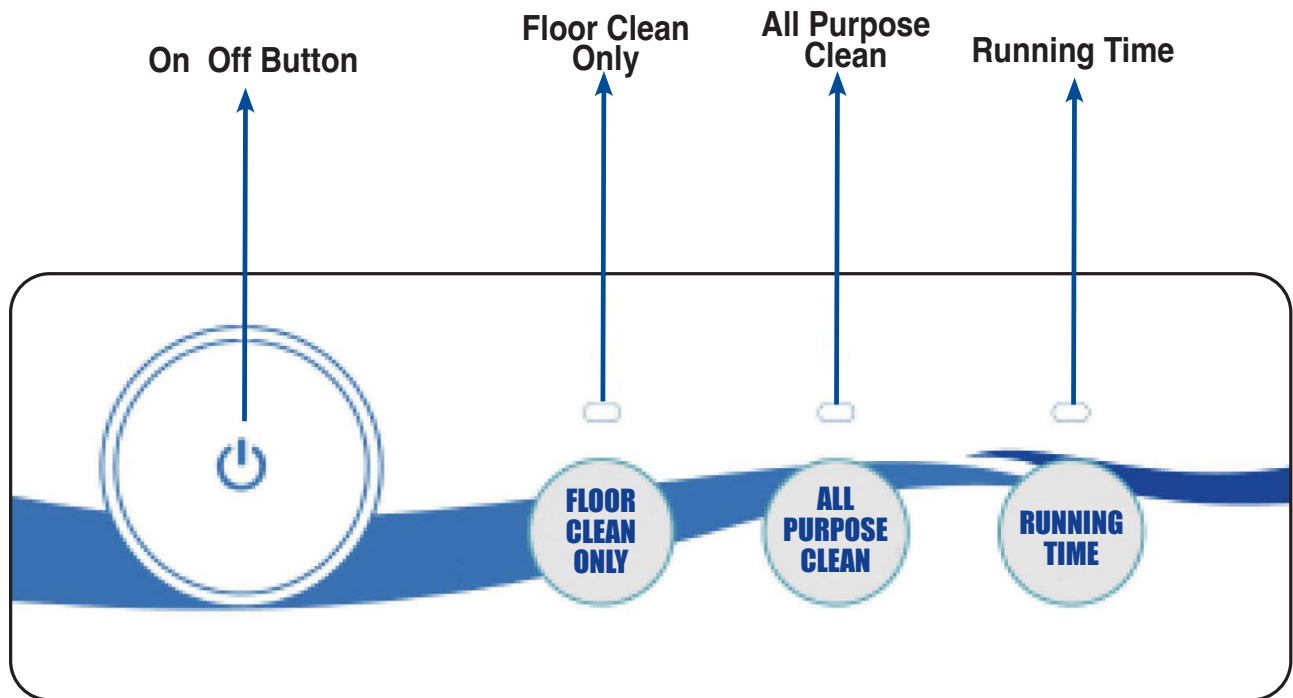
2. Connect the floating cable to the power supply control box. Use only the original Power Supply manufactured by Blue Torrent. Connect the floating cable to the control box. Make sure they are connected correctly. (The fitting on the cleaner floating cable should be connected with the control box by turning it the clockwise direction).
3. Place the **CLEANER** in the pool. It will slowly sink to the bottom of the pool as the air inside is released. (Do not use cable to lower into pool)
4. Connect the power supply to the **GFCI** protected outlet and switch it on. The **CLEANER** will run according to the procedures set to do the cleaning cycle. **CAUTION - DO NOT** switch on **CLEANER** when the **CLEANER** is out of water. This may result in damage to the pump and drive motor seals, which will **VOID** the warranty.

BRIEF INTRODUCTION

1.  **Start/Stop Button**
2. **Floor Clean Only**— To clean the pool floor only.
3. **All Purpose Clean**—All-around cleaning, including pool floor, pool wall and waterline.
4. **Timed Stop** (running time) — Choose the preferred running hours 2/3/5 hours.
Press the button to chose the time you want, red light means the cleaner will work for 2 hours, green light for 3 hours, blue for 5 hours. The cleaner will stop automatically after working time cycle.
5. Put the Pool Cleaner into the pool. Release the Pool Cleaner and let it sink to the floor of the pool. Make sure that the floating cable is free of any obstructions.
6. **START:** Turn the **Power Supply ON** (115V) One of the three modes light will be on. Press the Button for the mode and time you want to run, then pres  button, the Pool Cleaner will now operate.
7. **Mode Switching:** Press  button, choose the mode, press  button to start the Cleaner.



8. Indicator Lights:



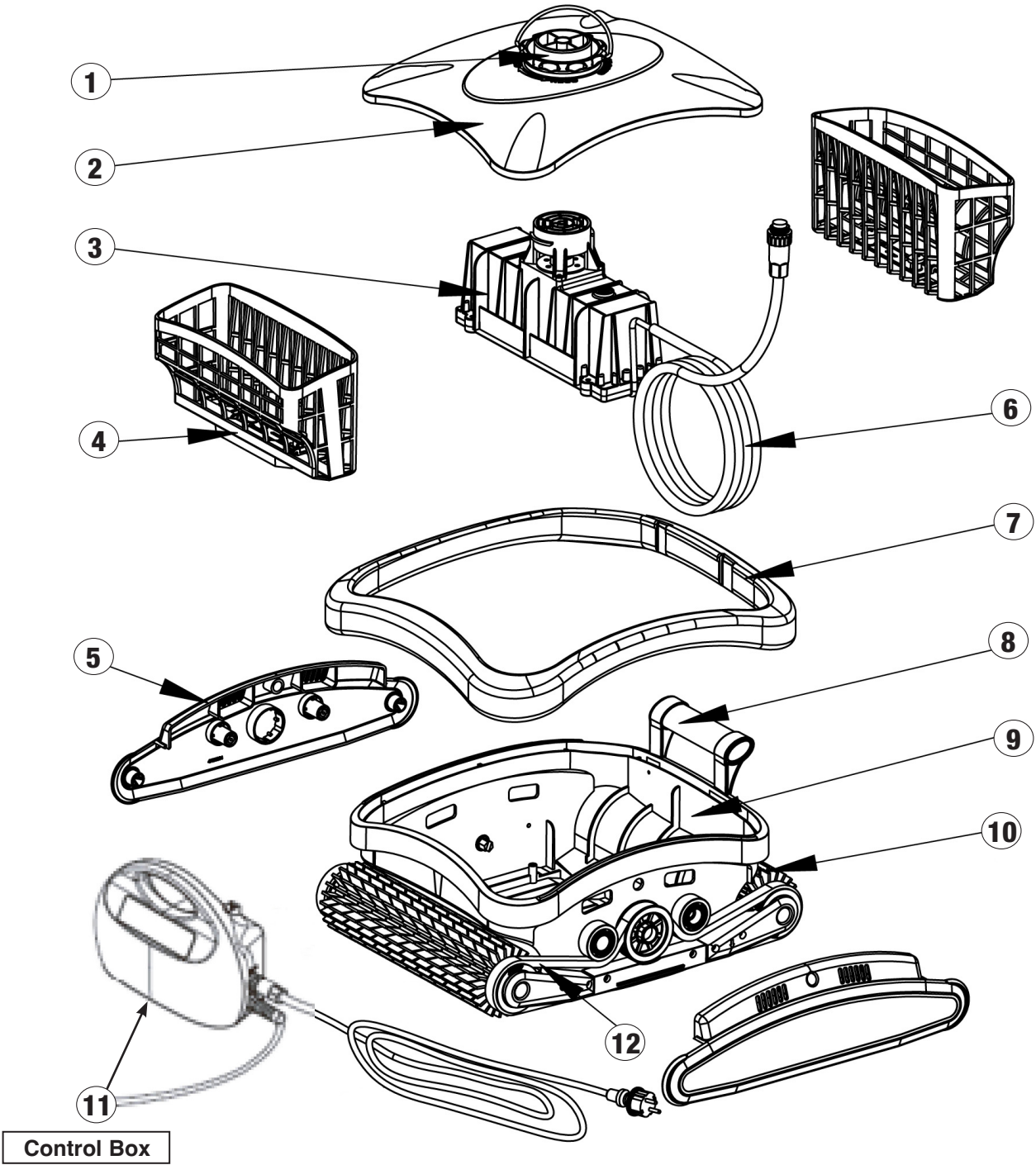
RUNNING TIME INDICATOR:

Red Light Blinking — Means the Cleaner has been set for **2 Hours**

Green Light Blinking — Means the Cleaner has been set for **3 Hours**

Blue Light Blinking — Means the Cleaner has been set for **5 Hours**

MYBOT ROBOTIC POOL CLEANER PARTS

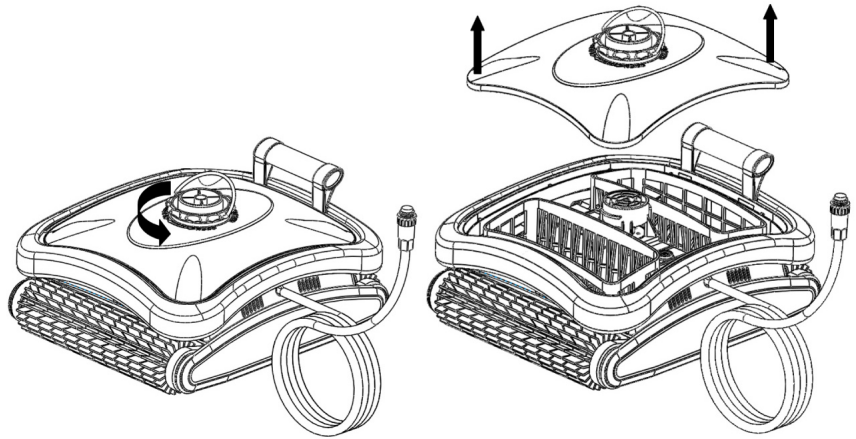


MYBOT ROBOTIC POOL CLEANER PARTS

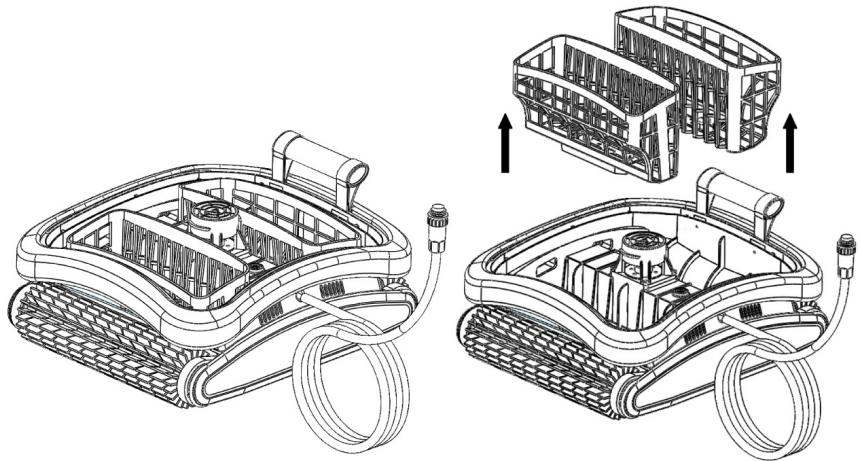
PART #	MODEL #	DESCRIPTION	QTY
1	AC 10421	Mybot Lid Cover (Outlet)	1
2	AC 10421	Mybot Lid Cover	1
3	AC 34266	Mybot Sealed Motor Unit	1
4	AC 30007	Mybot Filter Bucket	2
5	AC 10456	Mybot Side Panel	2
6	AC 10464	Mybot Floating Cable	1
7	AC 10472	Mybot Balance Ring	1
8	AC 10480	Mybot Handle	1
9	AC 10499	Mybot Body	1
10	AC 10502	Mybot Wheel Brush	2
11	AC 10510	Mybot Power Supply	1
12	AC 30600	Mybot Drive Track	2

MAINTENANCE

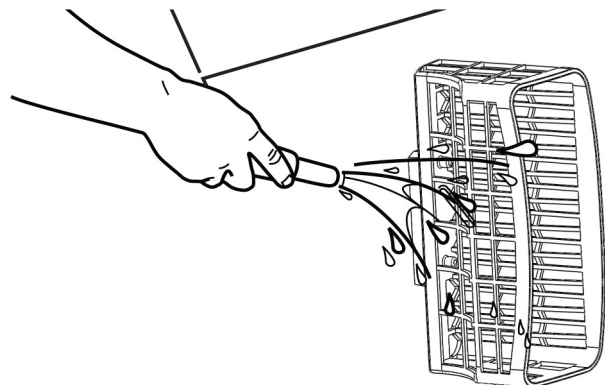
- Outlet is at the open position, press and turn it to the 'OPEN' direction, the cover can be opened. As shown.



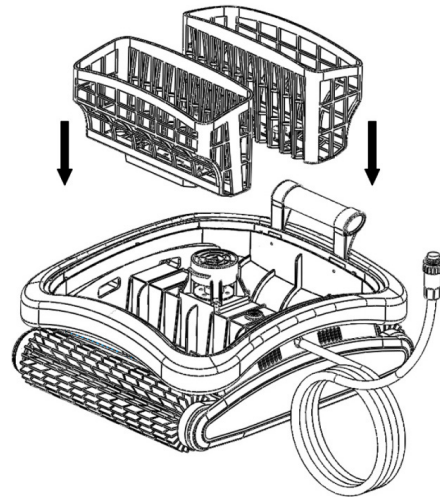
- Take the cover, you will see filter buckets. Take the filter buckets out of the Mybot.



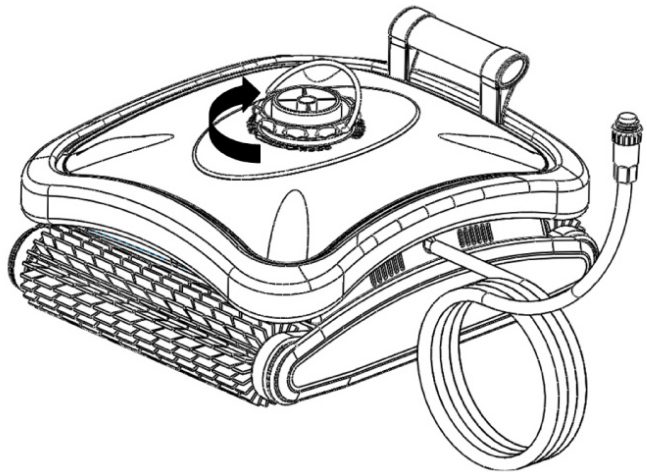
- Flip the bucket assembly over to remove the debris & then rinse with a garden hose to remove small particles.



- Reinstall the filter buckets in the right position, and make sure the concave of the filter bucket gets close to the inner edge of the robot, as shown.



- Assemble the outlet, press the cover and turn it to 'CLOSE' position until it locked tightly. As shown.



- Filter cleaning solution can be used to remove excessive dirt and/or sand.
- Remember: The cleaner your filter buckets are, the more efficient the CLEANER will perform.
- Periodic Cleaning of Moving Parts



WARNING

DISCONNECT THE POWER SUPPLY FROM ELECTRICAL OUTLET BEFORE CLEANING MOVING PARTS

CLEANING MOVING PARTS

- Inspect the motor to ensure that no debris or hair has clogged the impeller.
- The impeller can be cleaned by spraying it with a garden hose.
- Remove any debris that has accumulated between the tracks and wheels.

STORAGE

- When out of the water, store the **CLEANER** in a dry, shady location at temperatures between 39°F — 110°F.

CABLE CARE

- With continued use, the cable may become coiled (like a telephone cord). To correct this, periodically stretching the cord out in the sun should remove any cord twists.
IMPORTANT: The cable should be checked periodically for any external damage.

IMPORTANT TIPS

- Cleaning the filter buckets after every use maximizes the unit's performance.
- Replace worn brushes.
- In a pool with unusually high calcium content, more frequent cleaning of the filter is recommended.
- Save the **CLEANER** original carton for extended storage or shipping requirements when **CLEANER** required dealer service.
- **The sealed Motor Unit and the Power Supply** contain no user-serviceable parts.
- Opening them will automatically **VOID** your **warranty**.
- Remove items such as thermometer and toys from the pool before operating the unit. Such items can jam the cleaner and cause damage to the unit and/or your pool.

TROUBLESHOOTING

If **CLEANER** fails to pick up fine or heavy debris:

- Clean the filter buckets. It may be clogged. A filter cleaning solution can be used to remove excessive dirt and/or sand.

If **CLEANER** starts working momentarily but then stops working:

- Impeller may be clogged or jammed with debris. Check and clean if necessary following the instructions in the maintenance section.
- Drive tracks are stuck. Check for debris and clean if necessary.
- Cleaner performs by both timing and a pool wall detection sensor, whichever comes first.
- There are 2 inlets located at bottom of the cleaner and near the brushes. Inlets located next to the brushes help collect debris such as leaves and sand better than single inlet.
- For the cleaners used in areas that have a lot of sand the cleaner may need to be rinsed with water at the main body base and may need rinsing at the cover and outlet to allow free operation.
- During the normal operating cycle of the cleaner, the unit will rise to allow the unit to clear obstacles, such as elevated main drains and stair steps.

If a cleaner has poor coverage of the pool in one cycle or only covers a small area, check the filter and clean if necessary and make sure the unit is not getting caught on drains, floor cleaning heads or toys. The user may try starting the cleaner in different locations to find the optimum cleaning location.

If debris falls from cleaner while removing from pool, it may be caused by filter overload, increase frequency of filter cleaning. Assure that there is no large debris blocking any of the two inlets. Large debris must be removed from the pool before using machine. If drain flaps are out of place or stuck by sand or leaves in the open position, the flaps can be snapped back into place, after cleaning the area.

Avoid dropping or throwing machine into pool. Place cleaner away from the pool wall but do not throw the cleaner in the pool.

If the location cord gets twisted which can be caused by the cleaner working for too long time, it can be straightened by laying the location cord at full length if possible in the sun; heat from the sun will help reduce the twisting.

If a high level of debris is visible through the outlet, remove cleaner quickly from the water to reduce the chance of the debris escaping the filter bag and reentering the pool.

IMPORTANT SAFETY INSTRUCTIONS

The automatic swimming pool vacuum cleaner has been manufactured with the highest degree of care and concern for safety. We suggest the following safety precautions become part of your pool safety regulations:

SAVE THESE INSTRUCTIONS

1. ALWAYS PUT THE CLEANER INTO THE WATER BEFORE CONNECTING IT TO THE ELECTRICAL OUTLET.
2. IT IS IMPORTANT FOR SWIMMERS' SAFETY TO REMOVE THE UNIT IMMEDIATELY FOLLOWING USE. THIS CAN ALSO IMPROVE THE OPERATING LIFE OF YOUR CLEANER.
3. BE CERTAIN THE MACHINE IS ONLY PLUGGED INTO A GROUNDED ELECTRICAL OUTLET EQUIPPED WITH AN APPROVED AND PROPERLY OPERATING GROUND FAULT CIRCUIT INTERRUPTER (GFCI).
4. DO NOT HANDLE MACHINE WHILE IT IS PLUGGED INTO THE ELECTRICAL OUTLET.
5. DO NOT USE AN EXTENSION CORD. THIS COULD CREATE A SAFETY HAZARD AND/OR DAMAGE YOUR CLEANER.
6. ALWAYS STAY OUT OF THE POOL WHILE CLEANER IS IN OPERATION.
7. NEVER ALLOW PLUG TO ENTER THE POOL.
8. DO NOT OPERATE THE MACHINE OUT OF WATER. THIS WILL DAMAGE THE MOTOR SEAL AND VOID THE WARRANTY.
9. DO NOT DRAG THE MACHINE OUT OF THE POOL AGAINST THE SIDE WALL. THIS COULD DAMAGE UNIT AND/OR YOUR POOL WALL.
10. DO NOT BURY CORD. REPLACE DAMAGED CORDS.
11. WARNING - TO REDUCE THE RISK OF INJURY, DO NOT PERMIT CHILDREN TO USE THIS PRODUCT UNLESS THEY ARE CLOSELY SUPERVISED AT ALL TIMES.
12. IF THE SUPPLY CORD IS DAMAGED, IT MUST BE REPLACED BY THE MANUFACTURER, ITS SERVICE AGENT OR SIMILARLY QUALIFIED PERSONS IN ORDER TO AVOID A HAZARD.

While the CLEANER has been made to operate as safely as possible, we suggest you exercise reasonable care in the handling of the vacuum and inspect the electrical cord frequently for damage or wear, as with any other electrical appliance. After use, remove the unit and rinse with fresh water and remove any twists that may be present in the cord.

PREVENTATIVE MAINTENANCE

In order to maximize efficiency and receive long term service of your unit, we suggest the following:

- Thoroughly rinse entire unit after use.
- Clean filter baskets thoroughly after each use—a clogged filter can decrease efficiency dramatically.
- Remove any twists in the cord after each use. Twisting should be minimal if the unit is functioning properly. Laying cord, straightened out in sunlight is helpful.
- Avoid allowing the unit to “cool down” in the water.
- Inspect filter baskets frequently. Replace when necessary.



Blue Torrent manufactures all of its products using cutting-edge technology with the best materials and workmanship available.

Blue Torrent's POOL CLEANERS are warranted as follows:

1 YEAR LIMITED WARRANTY

Blue Torrent warrants its Pool Cleaners to be free of defects in material and/or workmanship for a period of one year from the original date of purchase.

WARRANTY CLAIM EXCLUSIONS:

- Damage caused by improper installation as specified in owner's manual
- Damage caused by improper handling
- Damage due to misuse, abuse and/or failure to operate item per owner's manual
- Damage caused by improper water chemistry
- Damage caused by improper winterization of equipment
- Damage caused by not using original replacement parts
- Accidental damage, fire, acts of God or other circumstances outside of **Blue Torrent's** control

NOTE:

- Customer must retain the original sales invoice as proof of purchase along
- Commercial facilities are not covered by warranty

Please return any and all defective items to your local authorized **Blue Torrent** dealer for inspection.

The customer is responsible for all shipping charges to and from the nearest Factory Warranty Center. For more information. Please visit www.btwarranty.com

Should a defect in material or workmanship appear the product will be repaired or replaced at our discretion. Neither **Blue Torrent** nor any authorized dealer is responsible for any charges related to the installation of the new item or part. Nor are they responsible for any incidental charges incurred including, but not limited to, water, chemicals, landscaping or any other associated expenses.